

# Technical data sheet

## Product features



### Display unit chilled GN 4-1/1 - 150 mm drop-in

<b>Model</b>	<b>SAP Code</b>	00012047
--------------	-----------------	----------



- Buffet type: BLUE - cooled, dynamic cooling
- Device properties: Chilled
- Number of GN / EN: 4
- GN / EN size in device: GN 1/1
- GN device depth: 200
- Minimum device temperature [°C]: 4
- Maximum device temperature [°C]: 8

<b>SAP Code</b>	00012047	<b>Loading</b>	230 V / 1N - 50 Hz
<b>Net Width [mm]</b>	1494	<b>Number of GN / EN</b>	4
<b>Net Depth [mm]</b>	760	<b>GN / EN size in device</b>	GN 1/1
<b>Net Height [mm]</b>	410	<b>GN device depth</b>	200
<b>Net Weight [kg]</b>	105.80	<b>Minimum device temperature [°C]</b>	4
<b>Power electric [kW]</b>	0.494	<b>Maximum device temperature [°C]</b>	8

# Technical data sheet

Technical drawing



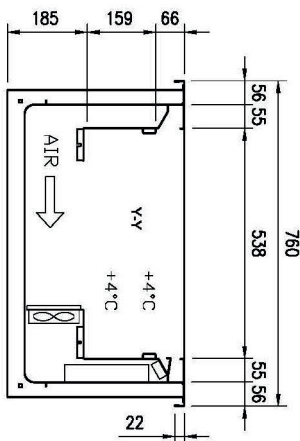
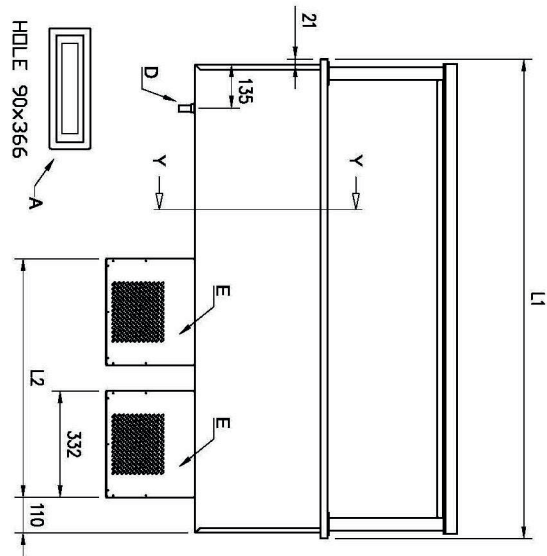
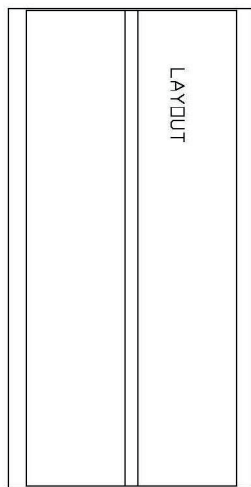
Display unit chilled GN 4-1/1 - 150 mm drop-in

Model

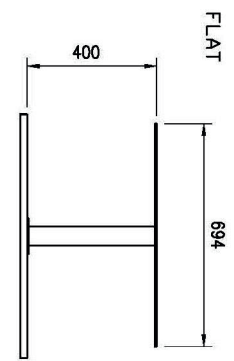
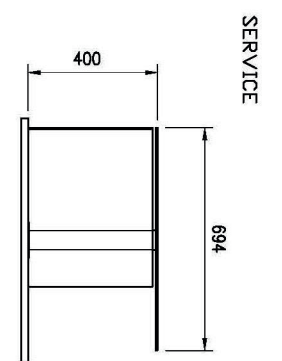
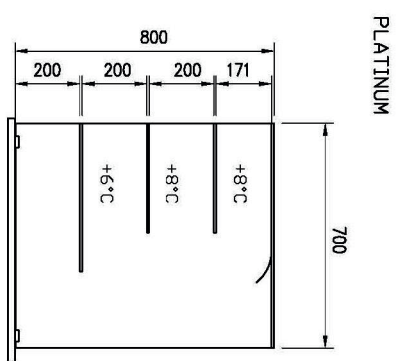
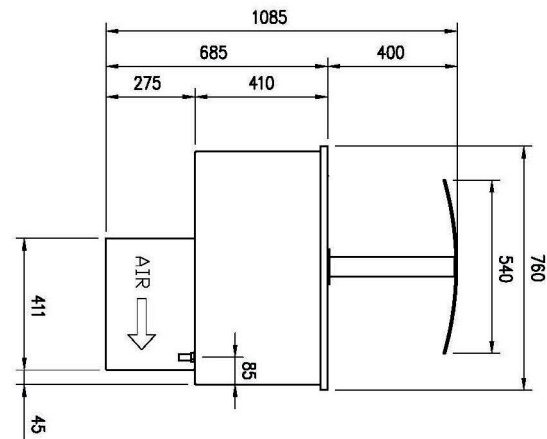
SAP Code

00012047

A= ELECTRICAL CONNECTION  
 D= WATER DISCHARGE Ø16  
 E= GAS CONNECTION Ø8 Ø10  
 F= WATER BOX



GN	L1	L2	HOLE
4/1	1494	744	1460x726
5/1	1819	744	1785x726
6/1	2144	1069	2110x726



# Technical data sheet

## Product benefits



### Display unit chilled GN 4-1/1 - 150 mm drop-in

Model

SAP Code

00012047

1

#### **Built-in**

the possibility to plant in a dispensing block design

- unified design of the dispensing line
- a luxurious look that customers appreciate

2

#### **Dynamic cooling**

constant temperature in all places of the refrigerated space

- greater hygienic safety of chilled food

3

#### **GN insertion up to 200mm**

variability of use

- possibility of cooling different types of food and larger volumes
- saving time, space, costs

4

#### **Rounded corners**

basins without sharp edges and corners

- higher hygienic safety
- time saving due to easy cleaning

5

#### **Removable evaporator filter**

basins without sharp edges and corners

- time saving for cleaning

6

#### **All-stainless steel construction**

harmless to health for contact with food  
robustness

- long service life
- very easy to clean

7

#### **One large bathtub**

one controller for the whole basin

- very easy to use
- easy maintenance

# Technical data sheet

Technical parameters



## Display unit chilled GN 4-1/1 - 150 mm drop-in

**Model**

**SAP Code**

00012047

**1. SAP Code:**

00012047

**2. Net Width [mm]:**

1494

**3. Net Depth [mm]:**

760

**4. Net Height [mm]:**

410

**5. Net Weight [kg]:**

105.80

**6. Gross Width [mm]:**

1558

**7. Gross depth [mm]:**

1012

**8. Gross Height [mm]:**

1000

**9. Gross Weight [kg]:**

115.00

**10. Device type:**

Electric unit

**11. Material:**

AISI 304

**12. Buffet type:**

BLUE - cooled, dynamic cooling

**13. Device properties:**

Chilled

**14. Exterior color of the device:**

Stainless steel

**15. Power electric [kW]:**

0.494

**16. Loading:**

230 V / 1N - 50 Hz

**17. Number of GN / EN:**

4

**18. GN / EN size in device:**

GN 1/1

**19. GN device depth:**

200

**20. Minimum device temperature [°C]:**

4

**21. Maximum device temperature [°C]:**

8

**22. Cross-section of conductors CU [mm<sup>2</sup>]:**

0,5

- Výkon (kW): 2,4-3,3 (230 V)

**23. Refrigerant:**

R290